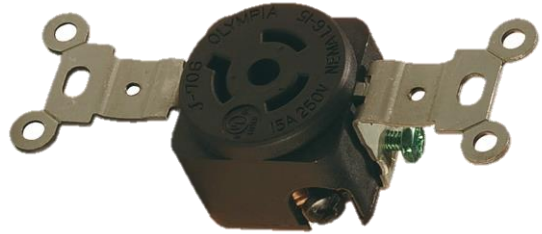
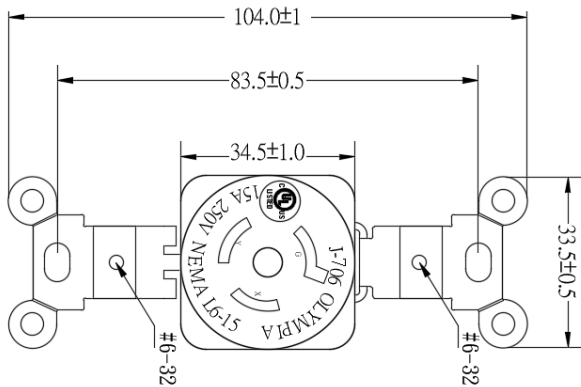


# J-706



## Product Specifications

Product Item	Single Receptacle Locking Type
Electrical Rating	2 Pole, 3 Wire Grounding 15A 250V AC
Configuration	NEMA L6-15R
Color	Black
Contact Material	Brass
Terminal Screw Material	#8-32 Brass
Ground Screw Material	#8-32 Brass(Green)
Contact Spring Material	Copper alloy
Cover(Top) Material	Nylon - Black
Base Material	Nylon - Black
Ground Contact Material	Brass
Brideg(Mounting Strap)Material	Steel - zinc plated
Standards and Certifications	UL/cUL Listed to UL498 File E158723
RoHS Compliant	Yes